

Technical Specifications

Power supply	Power over Ethernet (PoE), typ. 48VDC IEEE 802.3af Mode A, power class 0
Power consumption	typ. 1.7W, max. 5.8W (incl. 3W for external devices)
Ethernet interface	100 MBit/s
Voltage output for supplying external devices (NFC Code Touch...)*	24VDC, max. 3W * Wire length: max. 3m / 10ft
Tree Interface Out *	Connection of up to 50 Tree devices * Wire length: max. 3m / 10ft
Ambient temperature	-20 ... 40°C / -4 ... 104°F
Humidity	max. 95% r.H. (non condensing)
Protection class	IP 34
Dimensions	90x90x16mm / 3.55x3.55x0.63" (LxWxH)
Maintenance & Cleaning	This device is free of maintenance and may only be cleaned with a dry cloth.

Installation & electrical connection

The installation of this device has to be carried out by a qualified person. The device has to be fitted in accordance with building regulations for electrical and fire safety. If the device is not installed according to manufacturers guidelines the protection of the device may be affected.

This device complies with Part 15 of the FCC Rules. Operation is subject to the following two conditions:
(1) This device may not cause harmful interference, and
(2) this device must accept any interference received, including interference that may cause undesired operation.

* The devices connected to the 24V power output and the Tree interface of the Intercom must remain independent of the rest of the installation. No connection to other Tree branches, power supplies or devices may be established, not even via the GND.

Installation

Install the mounting frame on the desired installation place, and connect it according to the product documentation. Power up the device and pair it with your Miniserver in Loxone Config. To finish the installation attach the Loxone Intercom on the mounting frame. Please note the non-standard box spacing of 98mm when using the double or triple mounting frame!



For more information
about this product, visit
loxone.com/intercom

**Loxone
Electronics GmbH**
Smart Home 1
4154 Kollerschlag
Austria

Loxone UK
The Forum
Station Road
Theale, RG7 4RA
United Kingdom

V130323



For additional information,
declaration of conformity, visit
www.loxone.com/datasheets

Need Help?
loxone.com/support



Intercom

Part No.: 100484 (White)
Part No.: 100485 (Anthracite)

LOXONE

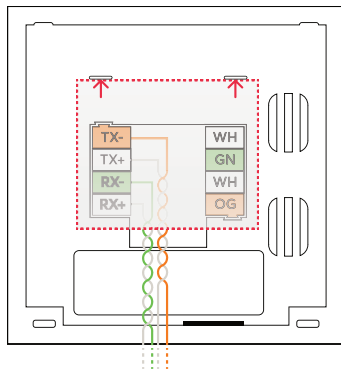
Technical Specifications

Bell button	1 touch point, capacitive
Click feedback	Yes
Speaker	2x 0.7W continuous / 2x 1W max. momentary
Microphone	Digital microphone, MEMS
Camera	Field of View: 120° diagonally Resolution: 1280x720 pixel
Proximity sensor	Detection range: in direct light: 0.2m low ambient light: 2.0m detection angle: 27° Technology: Infrared ToF Sensor
Mounting location with direct sunlight	white: allowed anthracite: not allowed
Recommended mounting height	1.6m / 63" top edge

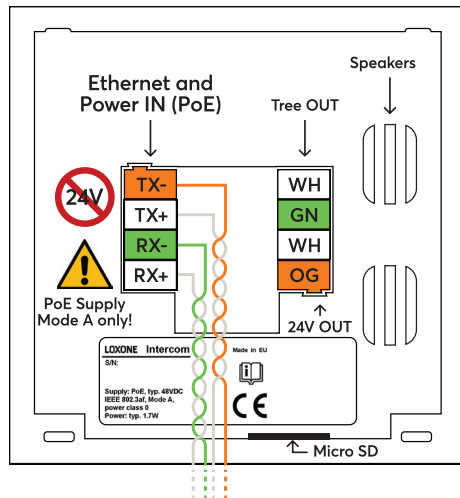
About the product

The Loxone Intercom is a compact video door bell featuring a glass finish, illuminated bell button and proximity sensor. The microphone is embedded into the front panel, the concealed speakers are located on unit's left side. The device is connected to the network and powered via Power over Ethernet. The integrated Tree interface makes it possible to connect an NFC Code Touch as part of an access solution.

The device is mounted in a low-profile aluminum frame, available in a single double, or triple version.



For protection against water, the enclosed adhesive cover must be attached!



Connection

Wire cross-section	0.25 ... 0.8mm ² / AWG23 ... 18
Stripping length	5mm / 0.2"
Temperature resistance	-40 ... 105°C / -40 ... 221°F

